

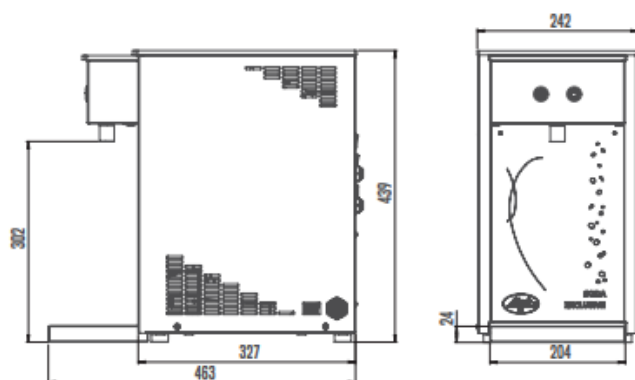
SODA and STILL WATER DISPENSER

Horeca Solutions OU
Tallinn Estonia

2023

SODA EXCLUSIVE dispenser

Top counter



Soda water maker is a professional device designed for producing chilled soda water by mixing H₂O and CO₂. This practical machine with its unique design is suitable for use in households, offices, restaurants, production facilities etc.

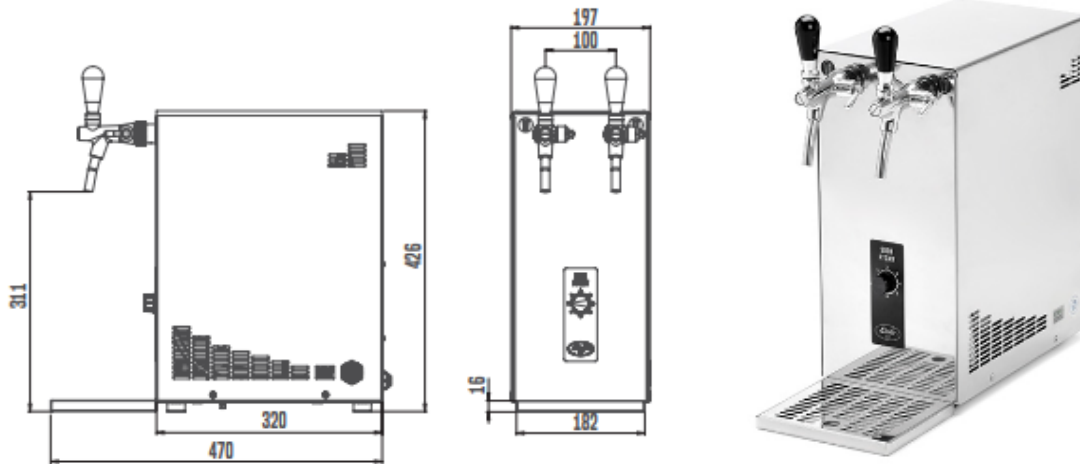
COOLING POWER OF THE COMPRESSOR (HP)	1/8
COOLING POWER OF THE COMPRESSOR (W)	310
MAXIMUM COOLING CAPACITY TO 0°C / TK 45°C (L/HOUR)	25
CONTINUOUS COOLING PERFORMANCE (L/HOUR)	20
THERMAL GRADIENT ΔT(°C)	10
AIR COMPRESSOR	NO
ICE BANK (KG)	
NUMBER OF TAPS (PCS)	1
NUMBER OF COOLED BEVERAGES	SODA+WATER
CARBONATED WATER (L/HOUR)	20-25
LENGTH OF COOLING COILS (M)	1x11
POWER (W)	391
AMPERAGE (A)	1,7
NET WEIGHT (KG)	23
REFRIGERANT TYPE	R290
VOLTAGE (V)	220/50hz
BEVERAGE CONNECTION (FITTINGS)	water 3/8
CO ₂ CONNECTION (FITTINGS)	CO ₂ 5/16

Horeca Solutions OU
VAT EE102075344
Tallinn, 11912, Estonia

sales@horecasolutions.eu
www.horecasolutions.eu
tel. +372 51905766

SODA Dispenser PYGMY25

Topcounter



Soda water maker is professional device designed for producing chilled soda water by mixing H₂O and CO₂. This practical machine is suitable for households, offices and small production facilities, where you expect output 20 - 25 l chilled drink per hour.

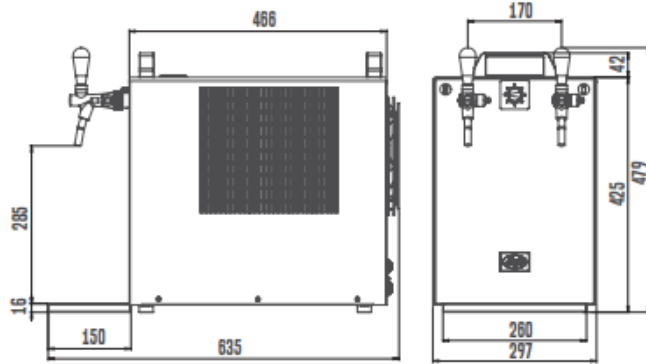
COOLING POWER OF THE COMPRESSOR (HP)	1/8
COOLING POWER OF THE COMPRESSOR (W)	310
MAXIMUM COOLING CAPACITY TO 0°C / TK 45°C (L/HOUR)	25
CONTINUOUS COOLING PERFORMANCE (L/HOUR)	20
THERMAL GRADIENT ΔT(°C)	10
AIR COMPRESSOR	NO
ICE BANK (KG)	
NUMBER OF TAPS (PCS)	2
NUMBER OF COOLED BEVERAGES	SODA+WATER
CARBONATED WATER (L/HOUR)	20-25
LENGTH OF COOLING COILS (M)	1x10,5
POWER (W)	299
AMPERAGE (A)	1,3
NET WEIGHT (KG)	21
REFRIGERANT TYPE	R290
VOLTAGE (V)	220/50hz
BEVERAGE CONNECTION (FITTINGS)	water 3/8
CO2 CONNECTION (FITTINGS)	CO2 5/16

Horeca Solutions OU
VAT EE102075344
Tallinn, 11912, Estonia

sales@horecasolutions.eu
www.horecasolutions.eu
tel. +372 51905766

SODA Dispenser KONTAKT 70

Top Counter



SODA KONTAKT 70 is a professional device designed for producing chilled soda water by mixing H₂O and CO₂, also for dispensing of chilled beverage like water, lemonade, beer, wine nad cider. Its high output of up to 70 l/h make it suitable for professional use in restaurants, inns and bars.

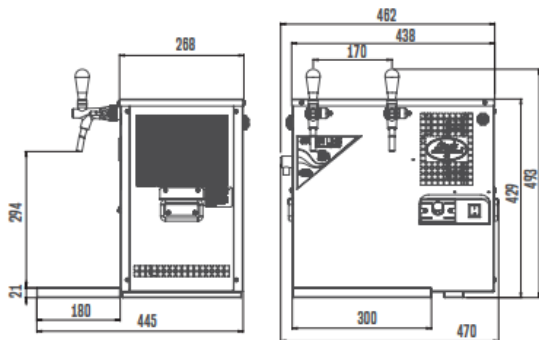
COOLING POWER OF THE COMPRESSOR (HP)	1/3
COOLING POWER OF THE COMPRESSOR (W)	860
MAXIMUM COOLING CAPACITY TO 0°C / TK 45°C (L/HOUR)	90
CONTINUOUS COOLING PERFORMANCE (L/HOUR)	70
THERMAL GRADIENT ΔT(°C)	10
AIR COMPRESSOR	NO
ICE BANK (KG)	
NUMBER OF TAPS (PCS)	2
NUMBER OF COOLED BEVERAGES	SODA+1
CARBONATED WATER (L/HOUR)	70-90
LENGTH OF COOLING COILS (M)	2x18
POWER (W)	828
AMPERAGE (A)	3,6
NET WEIGHT (KG)	37
REFRIGERANT TYPE	R290
VOLTAGE (V)	220/50hz
BEVERAGE CONNECTION (FITTINGS)	wat3/8, bev3/8
CO ₂ CONNECTION (FITTINGS)	CO ₂ 5/16

Horeca Solutions OU
VAT EE102075344
Tallinn, 11912, Estonia

sales@horecasolutions.eu
www.horecasolutions.eu
tel. +372 51905766

SODA AS-45 Dispenser

Top counter



SODA is a professional device designed for producing chilled soda water by mixing H₂O and CO₂, also for dispensing of chilled beverage like water, lemonade, beer, wine nad cider. Its high output of up to 70 l/h make it suitable for professional use in restaurants, inns and bars.

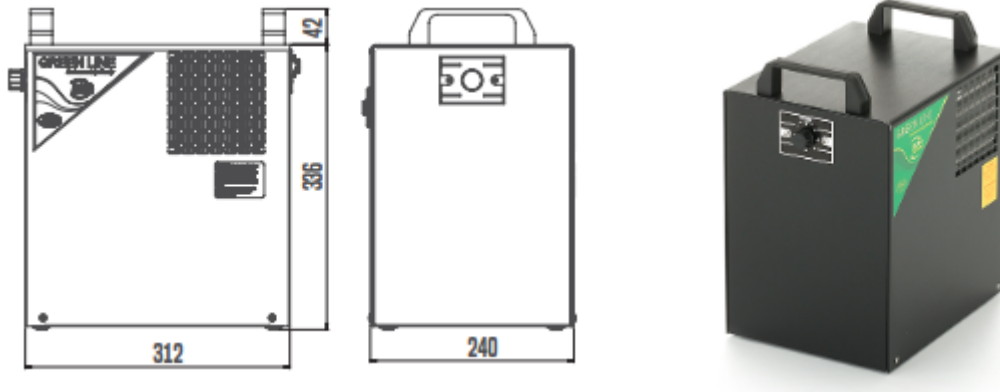
COOLING POWER OF THE COMPRESSOR (HP)	1/8
COOLING POWER OF THE COMPRESSOR (W)	310
MAXIMUM COOLING CAPACITY TO 0°C / TK 45°C (L/HOUR)	45
CONTINUOUS COOLING PERFORMANCE (L/HOUR)	25
THERMAL GRADIENT ΔT(°C)	10
AIR COMPRESSOR	NO
ICE BANK (KG)	
NUMBER OF TAPS (PCS)	2
NUMBER OF COOLED BEVERAGES	SODA+1
CARBONATED WATER (L/HOUR)	25-45
LENGTH OF COOLING COILS (M)	1x7,1x6
POWER (W)	345
AMPERAGE (A)	1,5
NET WEIGHT (KG)	24
REFRIGERANT TYPE	R290
VOLTAGE (V)	220/50hz
BEVERAGE CONNECTION (FITTINGS)	wat3/8, bev3/8
CO2 CONNECTION (FITTINGS)	CO2 5/16

Horeca Solutions OU
VAT EE102075344
Tallinn, 11912, Estonia

sales@horecasolutions.eu
www.horecasolutions.eu
tel. +372 51905766

SODA PYGMY 25 Dispenser

UnderCounter



Soda water maker SODA PYGMY 25 is a professional cooler designed for producing chilled soda water by mixing H₂O and CO₂. It is designed for undercounter placement and connection to a bar dispense tower or external valve. This practical machine is suitable for use in offices, restaurants or production plants. Output of up to 25 litres of perfectly chilled soda water per hour makes the soda water maker the ideal choice for universal use.

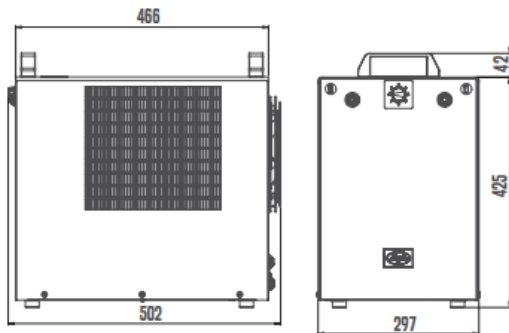
COOLING POWER OF THE COMPRESSOR (HP)	1/8
COOLING POWER OF THE COMPRESSOR (W)	310
MAXIMUM COOLING CAPACITY TO 0°C / TK 45°C (L/HOUR)	25
CONTINUOUS COOLING PERFORMANCE (L/HOUR)	20
THERMAL GRADIENT ΔT(°C)	10
AIR COMPRESSOR	NO
ICE BANK (KG)	
NUMBER OF TAPS (PCS)	2
NUMBER OF COOLED BEVERAGES	SODA+WATER
CARBONATED WATER (L/HOUR)	20-25
LENGTH OF COOLING COILS (M)	1x10,5
POWER (W)	391
AMPERAGE (A)	1,7
NET WEIGHT (KG)	17
REFRIGERANT TYPE	R290
VOLTAGE (V)	220/50hz
BEVERAGE CONNECTION (FITTINGS)	water 5/16
CO ₂ CONNECTION (FITTINGS)	CO ₂ 5/16
OUTPUT (FITTINGS)	wat5/16, bev5/16

Horeca Solutions OU
VAT EE102075344
Tallinn, 11912, Estonia

sales@horecasolutions.eu
www.horecasolutions.eu
tel. +372 51905766

SODA KONTAKT 70 Dispenser

Under Counter



SODA KONTAKT 70 is a professional device designed for producing chilled soda water by mixing H₂O and CO₂, also for dispensing of chilled beverage like water, lemonade, beer, wine nad cider. Its high output of up to 70 l/h make it suitable for professional use in restaurants, inns and bars.

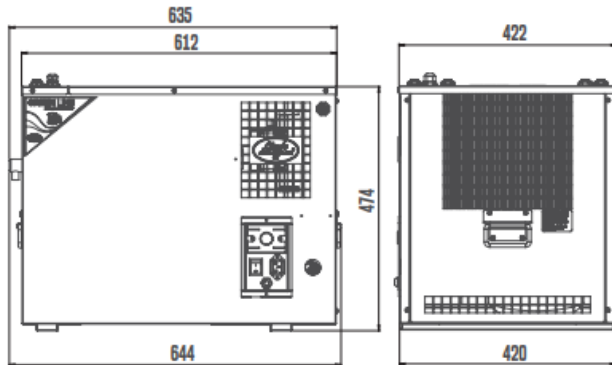
COOLING POWER OF THE COMPRESSOR (HP)	1/3
COOLING POWER OF THE COMPRESSOR (W)	860
MAXIMUM COOLING CAPACITY TO 0°C / TK 45°C (L/HOUR)	90
CONTINUOUS COOLING PERFORMANCE (L/HOUR)	70
THERMAL GRADIENT ΔT(°C)	10
AIR COMPRESSOR	NO
ICE BANK (KG)	
NUMBER OF TAPS (PCS)	2
NUMBER OF COOLED BEVERAGES	SODA+1
CARBONATED WATER (L/HOUR)	70-90
LENGTH OF COOLING COILS (M)	2x18
POWER (W)	828
AMPERAGE (A)	3,6
NET WEIGHT (KG)	36
REFRIGERANT TYPE	R290
VOLTAGE (V)	220/50hz
BEVERAGE CONNECTION (FITTINGS)	wat3/8, bev3/8
CO ₂ CONNECTION (FITTINGS)	CO ₂ 5/16
OUTPUT (FITTINGS)	wat3/8, bev3/8

Horeca Solutions OU
VAT EE102075344
Tallinn, 11912, Estonia

sales@horecasolutions.eu
www.horecasolutions.eu
tel. +372 51905766

SODA AS-110 Dispenser

Under Counter



SODA AS 110 is a professional device designed for producing chilled soda water by mixing H₂O and CO₂, with the capability to cool two additional beverages (beer, fizzy drinks etc.). Its high output of 60-110 l/h make it suitable for professional use in restaurants, inns and bars

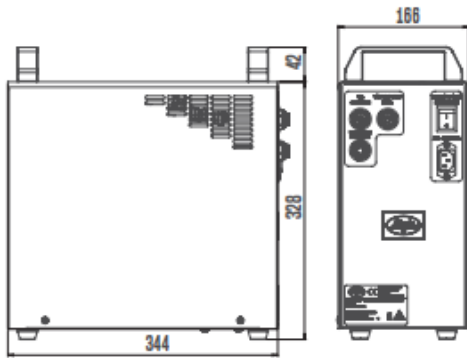
COOLING POWER OF THE COMPRESSOR (HP)	1/3
COOLING POWER OF THE COMPRESSOR (W)	860
MAXIMUM COOLING CAPACITY TO 0°C / TK 45°C (L/HOUR)	110
CONTINUOUS COOLING PERFORMANCE (L/HOUR)	60
THERMAL GRADIENT ΔT(°C)	10
AIR COMPRESSOR	NO
ICE BANK (KG)	05.0KT
NUMBER OF TAPS (PCS)	2
NUMBER OF COOLED BEVERAGES	SODA+2
CARBONATED WATER (L/HOUR)	60-110
LENGTH OF COOLING COILS (M)	2x16,1x9
POWER (W)	943
AMPERAGE (A)	4,1
NET WEIGHT (KG)	38
REFRIGERANT TYPE	R290
VOLTAGE (V)	220/50hz
BEVERAGE CONNECTION (FITTINGS)	wat3/8, bev3/8
CO ₂ CONNECTION (FITTINGS)	CO ₂ 5/16
OUTPUT (FITTINGS)	wat3/8, bev3/8

Horeca Solutions OU
VAT EE102075344
Tallinn, 11912, Estonia

sales@horecasolutions.eu
www.horecasolutions.eu
tel. +372 51905766

Carbonator 40 lts

Carbonator



The maker can produce 40 l of soda water per hour. Easy connection to cooler and tap tower. Affordable solution for restaurants and other establishments serving beverages and looking to expand their existing bar with perfectly chilled sparkling water.

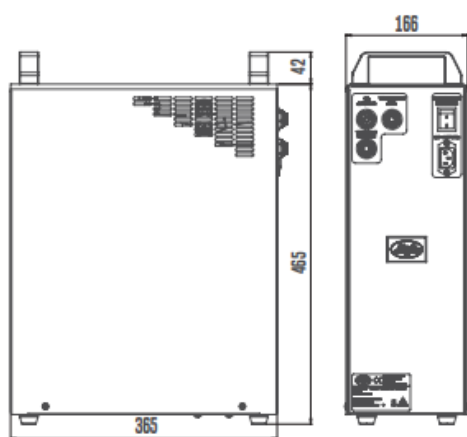
COOLING POWER OF THE COMPRESSOR (HP)	
COOLING POWER OF THE COMPRESSOR (W)	
MAXIMUM COOLING CAPACITY TO 0°C / TK 45°C (L/HOUR)	40
CONTINUOUS COOLING PERFORMANCE (L/HOUR)	
THERMAL GRADIENT ΔT (°C)	
AIR COMPRESSOR	NO
ICE BANK (KG)	
NUMBER OF TAPS (PCS)	
NUMBER OF COOLED BEVERAGES	SODA
CARBONATED WATER (L/HOUR)	40
LENGTH OF COOLING COILS (M)	
POWER (W)	368
AMPERAGE (A)	1,6
NET WEIGHT (KG)	10,5
REFRIGERANT TYPE	
VOLTAGE (V)	220/50hz
BEVERAGE CONNECTION (FITTINGS)	water 3/8
CO2 CONNECTION (FITTINGS)	CO2 5/16
OUTPUT (FITTINGS)	soda 3/8

Horeca Solutions OU
VAT EE102075344
Tallinn, 11912, Estonia

sales@horecasolutions.eu
www.horecasolutions.eu
tel. +372 51905766

Carbonator 200 lts

Carbonator



The device is designed for producing chilled soda water by mixing H₂O and CO₂. The maker can produce 200 l of soda water per hour. Easy connection to cooler and tap tower.

COOLING POWER OF THE COMPRESSOR (HP)	
COOLING POWER OF THE COMPRESSOR (W)	
MAXIMUM COOLING CAPACITY TO 0°C / TK 45°C (L/HOUR)	200
CONTINUOUS COOLING PERFORMANCE (L/HOUR)	
THERMAL GRADIENT ΔT(°C)	
AIR COMPRESSOR	NO
ICE BANK (KG)	
NUMBER OF TAPS (PCS)	
NUMBER OF COOLED BEVERAGES	SODA
CARBONATED WATER (L/HOUR)	200
LENGTH OF COOLING COILS (M)	
POWER (W)	322
AMPERAGE (A)	1,4
NET WEIGHT (KG)	14,0
REFRIGERANT TYPE	
VOLTAGE (V)	220/50hz
BEVERAGE CONNECTION (FITTINGS)	water 3/8
CO ₂ CONNECTION (FITTINGS)	CO ₂ 5/16
OUTPUT (FITTINGS)	soda 3/8

Horeca Solutions OU
 VAT EE102075344
 Tallinn, 11912, Estonia

sales@horecasolutions.eu
www.horecasolutions.eu
 tel. +372 51905766