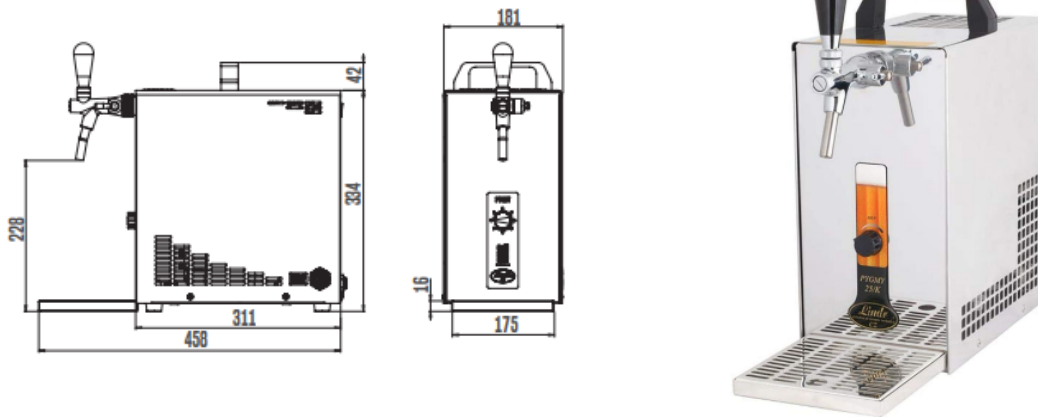


# **BEER DISPENSER**

**2023**

Horeca Solutions OU  
Estonia Tallinn

# BEER DISPENSER PYGMY20K



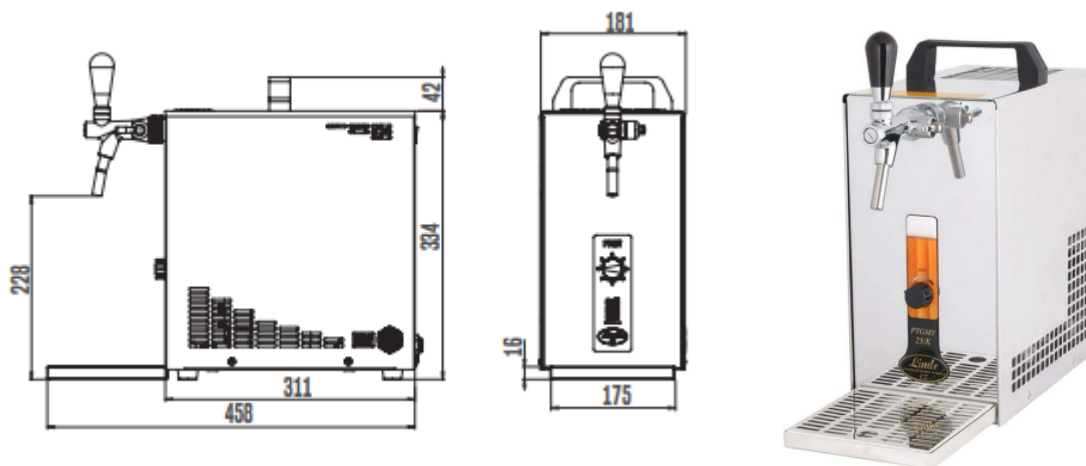
The flagship line of our beer cooler production. Portable cooling system that is suitable for cooling and dispensing (not only) beer in households, at garden parties, corporate celebrations or in smaller bars.

|  |                   |
|--|-------------------|
| COOLING POWER OF THE COMPRESSOR (HP)               | 1/8               |
| COOLING POWER OF THE COMPRESSOR (W)                | 280               |
| MAXIMUM COOLING CAPACITY TO 0°C / TK 45°C (L/HOUR) | 25                |
| CONTINUOUS COOLING PERFORMANCE (L/HOUR)            | 20                |
| THERMAL GRADIENT $\Delta T$ (°C)                   | 10                |
| AIR COMPRESSOR                                     | YES               |
| ICE BANK (kg)                                      |                   |
| DISPLACEMENT OF RECIRCULATION PUMP                 |                   |
| AIR COMPRESSOR PRESSURE (BAR)                      | Automatic 2,8-3,5 |
| NUMBER OF TAPS (PCS)                               | 1                 |
| LENGTH OF COOLING COILS (M)                        | 1x10,5            |
| POWER (W)  | 322               |
| AMPERAGE (A)                                       | 1,4               |
| NET WEIGHT (KG)                                    | 18,5              |
| REFRIGERANT TYPE                                   | R290              |
| VOLTAGE (V)  | 220/50hz          |
| BEVERAGE CONNECTION (FITTINGS)                     | bev 3/8           |
| AIR CONNECTION (FITTINGS)                          | air 5/16          |

HORECA SOLUTIONS OU  
Estonia, 11912, Tallinn  
Padriku 3/2

[www.horecasolutions.eu](http://www.horecasolutions.eu)  
[sales@horecasolutions.eu](mailto:sales@horecasolutions.eu)  
tel. +372 51905766

# BEER DISPENSER PYGMY25



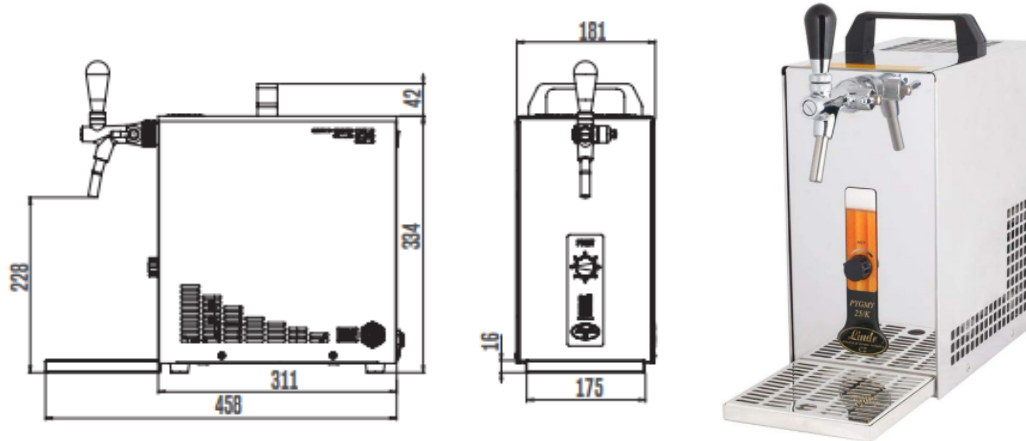
The flagship line of our beer cooler production. Portable cooling system that is suitable for cooling and dispensing (not only) beer in households, at garden parties, corporate celebrations or in smaller bars.

|  |          |
|--|----------|
| COOLING POWER OF THE COMPRESSOR (HP)               | 1/8      |
| COOLING POWER OF THE COMPRESSOR (W)                | 280      |
| MAXIMUM COOLING CAPACITY TO 0°C / TK 45°C (L/HOUR) | 25       |
| CONTINUOUS COOLING PERFORMANCE (L/HOUR)            | 20       |
| THERMAL GRADIENT $\Delta T$ (°C)                   | 10       |
| AIR COMPRESSOR                                     | NO       |
| ICE BANK (kg)                                      |          |
| DISPLACEMENT OF RECIRCULATION PUMP                 |          |
| AIR COMPRESSOR PRESSURE (BAR)                      |          |
| NUMBER OF TAPS (PCS)                               | 1        |
| LENGTH OF COOLING COILS (M)                        | 1x11,5   |
| POWER (W)  | 299      |
| AMPERAGE (A)                                       | 1,3      |
| NET WEIGHT (KG)                                    | 15       |
| REFRIGERANT TYPE                                   | R290     |
| VOLTAGE (V)  | 220/50hz |
| BEVERAGE CONNECTION (FITTINGS)                     | bev 3/8  |
| AIR CONNECTION (FITTINGS)                          |          |

HORECA SOLUTIONS OU  
Estonia, 11912, Tallinn  
Padriku 3/2

[www.horecasolutions.eu](http://www.horecasolutions.eu)  
[sales@horecasolutions.eu](mailto:sales@horecasolutions.eu)  
tel. +372 51905766

# BEER DISPENSER PYGMY25K



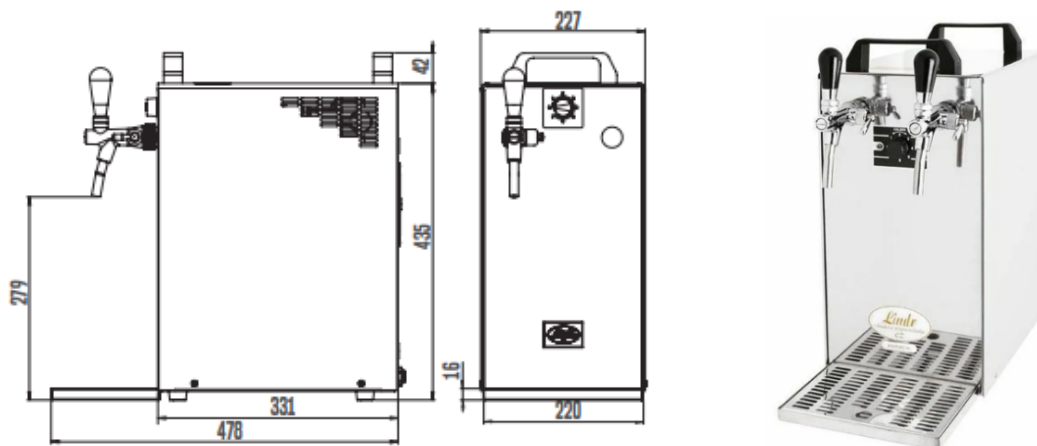
The flagship line of our beer cooler production. Portable cooling system that is suitable for cooling and dispensing (not only) beer in households, at garden parties, corporate celebrations or in smaller bars.

|  |                   |
|--|-------------------|
| COOLING POWER OF THE COMPRESSOR (HP)               | 1/8               |
| COOLING POWER OF THE COMPRESSOR (W)                | 280               |
| MAXIMUM COOLING CAPACITY TO 0°C / TK 45°C (L/HOUR) | 25                |
| CONTINUOUS COOLING PERFORMANCE (L/HOUR)            | 20                |
| THERMAL GRADIENT $\Delta T$ (°C)                   | 10                |
| AIR COMPRESSOR                                     | YES               |
| ICE BANK (kg)                                      |                   |
| DISPLACEMENT OF RECIRCULATION PUMP                 |                   |
| AIR COMPRESSOR PRESSURE (BAR)                      | Automatic 2,8-3,5 |
| NUMBER OF TAPS (PCS)                               | 1                 |
| LENGTH OF COOLING COILS (M)                        | 1x11,5            |
| POWER (W)  | 368               |
| AMPERAGE (A)                                       | 1,6               |
| NET WEIGHT (KG)                                    | 17                |
| REFRIGERANT TYPE                                   | R290              |
| VOLTAGE (V)  | 220/50hz          |
| BEVERAGE CONNECTION (FITTINGS)                     | bev 3/8           |
| AIR CONNECTION (FITTINGS)                          | air 5/16          |

HORECA SOLUTIONS OU  
Estonia, 11912, Tallinn  
Padriku 3/2

[www.horecasolutions.eu](http://www.horecasolutions.eu)  
[sales@horecasolutions.eu](mailto:sales@horecasolutions.eu)  
tel. +372 51905766

# BEER DISPENSER KONTAKT40



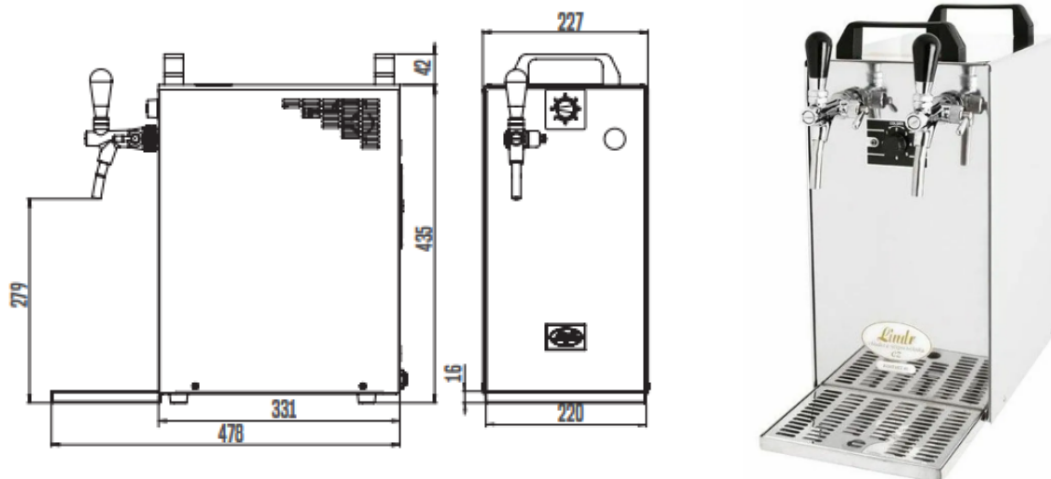
The flagship line of our beer cooler production. Portable cooling system that is suitable for cooling and dispensing (not only) beer in households, at garden parties, corporate celebrations or in smaller bars.

|  |          |
|--|----------|
| COOLING POWER OF THE COMPRESSOR (HP)               | 1/5      |
| COOLING POWER OF THE COMPRESSOR (W)                | 510      |
| MAXIMUM COOLING CAPACITY TO 0°C / TK 45°C (L/HOUR) | 50       |
| CONTINUOUS COOLING PERFORMANCE (L/HOUR)            | 40       |
| THERMAL GRADIENT $\Delta T$ (°C)                   | 10       |
| AIR COMPRESSOR                                     | NO       |
| ICE BANK (kg)                                      |          |
| DISPLACEMENT of RECIRCULATION PUMP                 |          |
| AIR COMPRESSOR PRESSURE (BAR)                      |          |
| NUMBER OF TAPS (PCS)                               | 2        |
| LENGTH OF COOLING COILS (M)                        | 2x14     |
| POWER (W)  | 322      |
| AMPERAGE (A)                                       | 1,4      |
| NET WEIGHT (KG)                                    | 25,5     |
| REFRIGERANT TYPE                                   | R290     |
| VOLTAGE (V)  | 220/50hz |
| BEVERAGE CONNECTION (FITTINGS)                     | bev 3/8  |
| AIR CONNECTION (FITTINGS)                          |          |

HORECA SOLUTIONS OU  
Estonia, 11912, Tallinn  
Padriku 3/2

[www.horecasolutions.eu](http://www.horecasolutions.eu)  
[sales@horecasolutions.eu](mailto:sales@horecasolutions.eu)  
tel. +372 51905766

# BEER DISPENSER KONTAKT40K



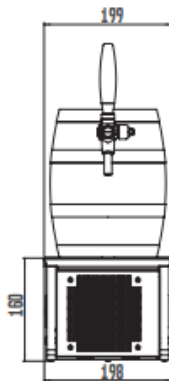
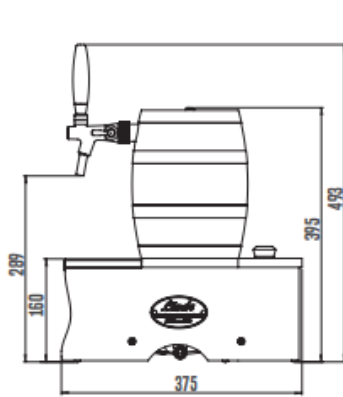
The flagship line of our beer cooler production. Portable cooling system that is suitable for cooling and dispensing (not only) beer in households, at garden parties, corporate celebrations or in smaller bars.

|  |                   |
|--|-------------------|
| COOLING POWER OF THE COMPRESSOR (HP)               | 1/5               |
| COOLING POWER OF THE COMPRESSOR (W)                | 510               |
| MAXIMUM COOLING CAPACITY TO 0°C / TK 45°C (L/HOUR) | 50                |
| CONTINUOUS COOLING PERFORMANCE (L/HOUR)            | 40                |
| THERMAL GRADIENT $\Delta T$ (°C)                   | 10                |
| AIR COMPRESSOR                                     | YES               |
| ICE BANK (kg)                                      |                   |
| DISPLACEMENT of RECIRCULATION PUMP                 |                   |
| AIR COMPRESSOR PRESSURE (BAR)                      | Automatic 2,8-3,5 |
| NUMBER OF TAPS (PCS)                               | 2                 |
| LENGTH OF COOLING COILS (M)                        | 2x14              |
| POWER (W)  | 391               |
| AMPERAGE (A)                                       | 1,7               |
| NET WEIGHT (KG)                                    | 29                |
| REFRIGERANT TYPE                                   | R290              |
| VOLTAGE (V)  | 220/50hz          |
| BEVERAGE CONNECTION (FITTINGS)                     | bev 3/8           |
| AIR CONNECTION (FITTINGS)                          | air 5/16          |

HORECA SOLUTIONS OU  
Estonia, 11912, Tallinn  
Padriku 3/2

[www.horecasolutions.eu](http://www.horecasolutions.eu)  
[sales@horecasolutions.eu](mailto:sales@horecasolutions.eu)  
tel. +372 51905766

# BEER DISPENSER SOUDEK20



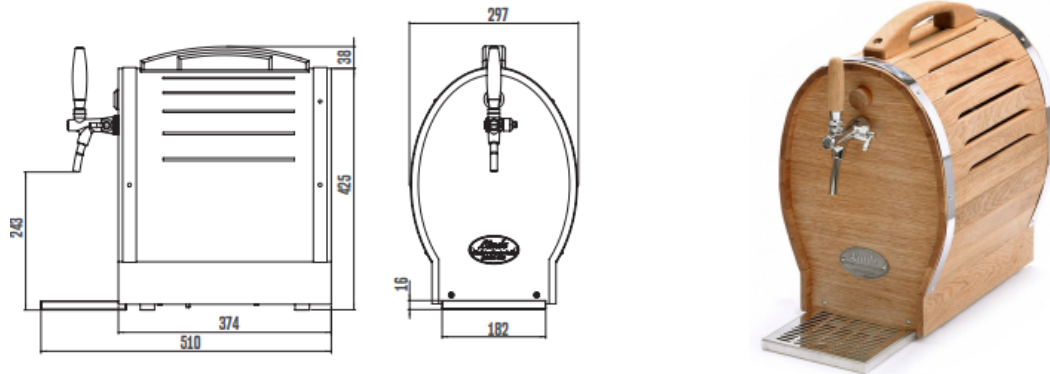
The luxurious beer cooler SOUDEK LINE is a combination of exclusive oak wood and stainless steel accessories. The result of this combination is a unique look, which you will appreciate in a rustic kitchen, home bar or smaller commercial environments, such as wine shops or wine bars.

|  |          |
|--|----------|
| COOLING POWER OF THE COMPRESSOR (HP)               | 1/8      |
| COOLING POWER OF THE COMPRESSOR (W)                | 280      |
| MAXIMUM COOLING CAPACITY TO 0°C / TK 45°C (L/HOUR) | 20       |
| CONTINUOUS COOLING PERFORMANCE (L/HOUR)            | 15       |
| THERMAL GRADIENT $\Delta T$ (°C)                   | 10       |
| AIR COMPRESSOR                                     | NO       |
| ICE BANK (kg)                                      |          |
| DISPLACEMENT of RECIRCULATION PUMP                 |          |
| AIR COMPRESSOR PRESSURE (BAR)                      |          |
| NUMBER OF TAPS (PCS)                               | 1        |
| LENGTH OF COOLING COILS (M)                        | 1x11     |
| POWER (W)  | 253      |
| AMPERAGE (A)                                       | 1,1      |
| NET WEIGHT (KG)                                    | 13       |
| REFRIGERANT TYPE                                   | R290     |
| VOLTAGE (V)  | 220/50hz |
| BEVERAGE CONNECTION (FITTINGS)                     | bev 3/8  |
| AIR CONNECTION (FITTINGS)                          |          |

HORECA SOLUTIONS OU  
Estonia, 11912, Tallinn  
Padriku 3/2

[www.horecasolutions.eu](http://www.horecasolutions.eu)  
[sales@horecasolutions.eu](mailto:sales@horecasolutions.eu)  
tel. +372 51905766

# BEER DISPENSER SOUDEK35



The luxurious beer cooler SOUDEK LINE is a combination of exclusive oak wood and stainless steel accessories. The result of this combination is a unique look, which you will appreciate in a rustic kitchen, home bar or smaller commercial environments, such as wine shops or wine bars.

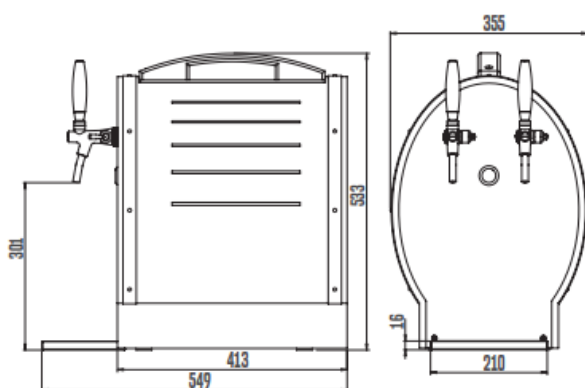
|  |          |
|--|----------|
| COOLING POWER OF THE COMPRESSOR (HP)               | 1/8      |
| COOLING POWER OF THE COMPRESSOR (W)                | 310      |
| MAXIMUM COOLING CAPACITY TO 0°C / TK 45°C (L/HOUR) | 40       |
| CONTINUOUS COOLING PERFORMANCE (L/HOUR)            | 35       |
| THERMAL GRADIENT $\Delta T$ (°C)                   | 10       |
| AIR COMPRESSOR                                     | NO       |
| ICE BANK (kg)                                      |          |
| DISPLACEMENT OF RECIRCULATION PUMP                 |          |
| AIR COMPRESSOR PRESSURE (BAR)                      |          |
| NUMBER OF TAPS (PCS)                               | 1        |
| LENGTH OF COOLING COILS (M)                        | 1x16,5   |
| POWER (W)  | 322      |
| AMPERAGE (A)                                       | 1,4      |
| NET WEIGHT (KG)                                    | 19       |
| REFRIGERANT TYPE                                   | R290     |
| VOLTAGE (V)  | 220/50hz |
| BEVERAGE CONNECTION (FITTINGS)                     | bev 3/8  |
| AIR CONNECTION (FITTINGS)                          |          |

HORECA SOLUTIONS OU  
Estonia, 11912, Tallinn  
Padriku 3/2

[www.horecasolutions.eu](http://www.horecasolutions.eu)  
[sales@horecasolutions.eu](mailto:sales@horecasolutions.eu)  
tel. +372 51905766



# BEER DISPENSER SOUDEK50-2



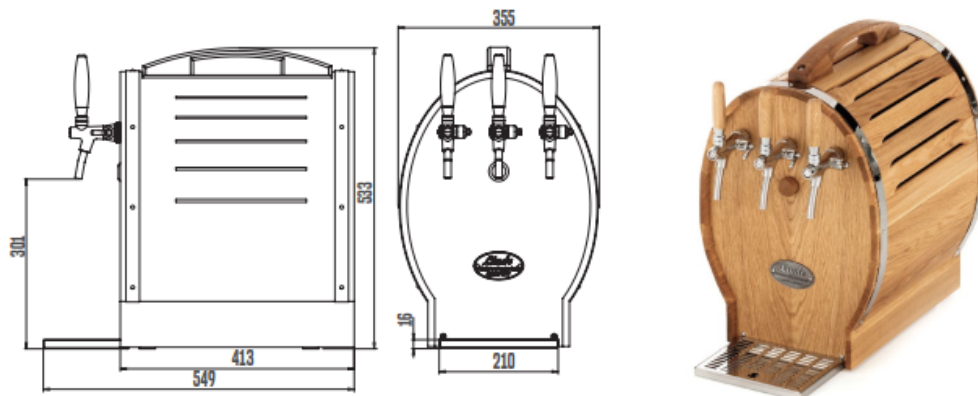
The luxurious beer cooler SOUDEK LINE is a combination of exclusive oak wood and stainless steel accessories. The result of this combination is a unique look, which you will appreciate in a rustic kitchen, home bar or smaller commercial environments, such as wine shops or wine bars.

|  |          |
|--|----------|
| COOLING POWER OF THE COMPRESSOR (HP)               | 1/8      |
| COOLING POWER OF THE COMPRESSOR (W)                | 310      |
| MAXIMUM COOLING CAPACITY TO 0°C / TK 45°C (L/HOUR) | 50       |
| CONTINUOUS COOLING PERFORMANCE (L/HOUR)            | 40       |
| THERMAL GRADIENT ΔT(°C)                            | 10       |
| AIR COMPRESSOR                                     | NO       |
| ICE BANK (kg)                                      |          |
| DISPLACEMENT of RECIRCULATION PUMP                 |          |
| AIR COMPRESSOR PRESSURE (BAR)                      |          |
| NUMBER OF TAPS (PCS)                               | 2        |
| LENGTH OF COOLING COILS (M)                        | 2x16,5   |
| POWER (W)  | 322      |
| AMPERAGE (A)                                       | 1,4      |
| NET WEIGHT (KG)                                    | 32       |
| REFRIGERANT TYPE                                   | R290     |
| VOLTAGE (V)  | 220/50hz |
| BEVERAGE CONNECTION (FITTINGS)                     | bev 3/8  |
| AIR CONNECTION (FITTINGS)                          |          |

HORECA SOLUTIONS OU  
Estonia, 11912, Tallinn  
Padriku 3/2

[www.horecasolutions.eu](http://www.horecasolutions.eu)  
[sales@horecasolutions.eu](mailto:sales@horecasolutions.eu)  
tel. +372 51905766

# BEER DISPENSER SOUDEK50-3



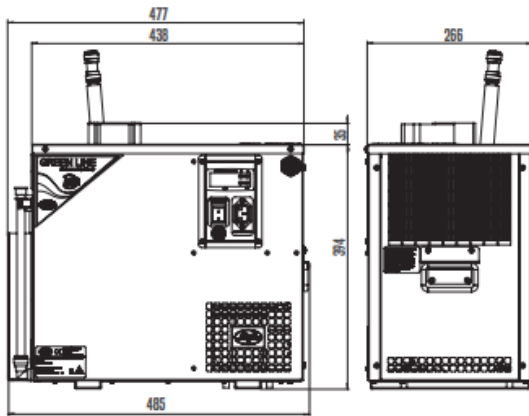
The luxurious beer cooler SOUDEK LINE is a combination of exclusive oak wood and stainless steel accessories. The result of this combination is a unique look, which you will appreciate in a rustic kitchen, home bar or smaller commercial environments, such as wine shops or wine bars.

|  |          |
|--|----------|
| COOLING POWER OF THE COMPRESSOR (HP)               | 1/8      |
| COOLING POWER OF THE COMPRESSOR (W)                | 310      |
| MAXIMUM COOLING CAPACITY TO 0°C / TK 45°C (L/HOUR) | 50       |
| CONTINUOUS COOLING PERFORMANCE (L/HOUR)            | 40       |
| THERMAL GRADIENT $\Delta T$ (°C)                   | 10       |
| AIR COMPRESSOR                                     | NO       |
| ICE BANK (kg)                                      |          |
| DISPLACEMENT of RECIRCULATION PUMP                 |          |
| AIR COMPRESSOR PRESSURE (BAR)                      |          |
| NUMBER OF TAPS (PCS)                               | 3        |
| LENGTH OF COOLING COILS (M)                        | 2x16,5   |
| POWER (W)  | 322      |
| AMPERAGE (A)                                       | 1,4      |
| NET WEIGHT (KG)                                    | 33       |
| REFRIGERANT TYPE                                   | R290     |
| VOLTAGE (V)  | 220/50hz |
| BEVERAGE CONNECTION (FITTINGS)                     | bev 3/8  |
| AIR CONNECTION (FITTINGS)                          |          |

HORECA SOLUTIONS OU  
Estonia, 11912, Tallinn  
Padriku 3/2

[www.horecasolutions.eu](http://www.horecasolutions.eu)  
[sales@horecasolutions.eu](mailto:sales@horecasolutions.eu)  
tel. +372 51905766

# BEER DISPENSER AS-40



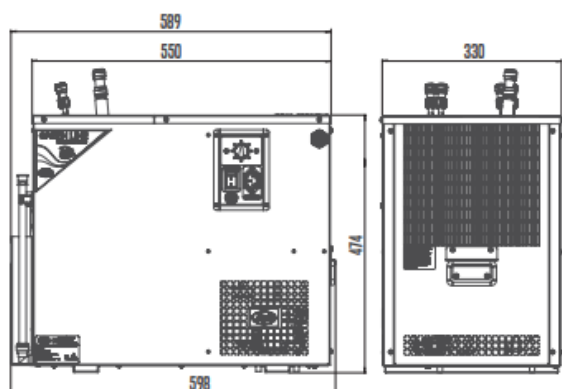
The AS NEW GREEN LINE series of under-counter water coolers is equipped with conventional ice-bank cooling technology. The coolers are designed for gastro businesses and restaurants with dispensing outputs. The design of the cooler allows for easy installation, e.g. under the bar or in another area. Great advantages include the small size of the cooler.

|  |          |
|--|----------|
| COOLING POWER OF THE COMPRESSOR (HP)               | 1/8      |
| COOLING POWER OF THE COMPRESSOR (W)                | 310      |
| MAXIMUM COOLING CAPACITY TO 0°C / TK 45°C (L/HOUR) | 40       |
| CONTINUOUS COOLING PERFORMANCE (L/HOUR)            | 25       |
| THERMAL GRADIENT $\Delta T$ (°C)                   | 10       |
| AIR COMPRESSOR                                     | NO       |
| ICE BANK (kg)                                      | 4-8      |
| DISPLACEMENT OF RECIRCULATION PUMP                 | 1,2      |
| AIR COMPRESSOR PRESSURE (BAR)                      |          |
| NUMBER OF TAPS (PCS)                               | 2        |
| LENGTH OF COOLING COILS (M)                        | 2x8      |
| POWER (W)  | 322      |
| AMPERAGE (A)                                       | 1,4      |
| NET WEIGHT (KG)                                    | 17,5     |
| REFRIGERANT TYPE                                   | R290     |
| VOLTAGE (V)  | 220/50hz |
| BEVERAGE CONNECTION (FITTINGS)                     | bev 3/8  |

HORECA SOLUTIONS OU  
Estonia, 11912, Tallinn  
Padriku 3/2

[www.horecasolutions.eu](http://www.horecasolutions.eu)  
[sales@horecasolutions.eu](mailto:sales@horecasolutions.eu)  
tel. +372 51905766

# BEER DISPENSER AS-80



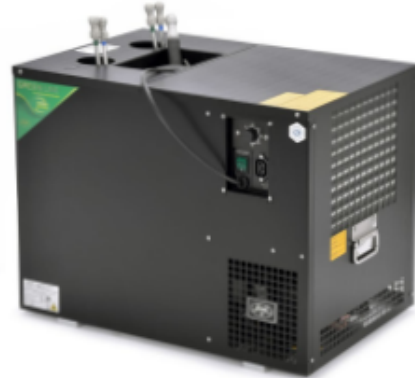
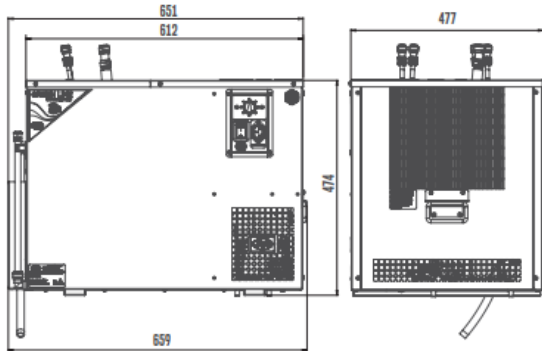
The AS NEW GREEN LINE series of under-counter water coolers is equipped with conventional ice-bank cooling technology. The coolers are designed for gastro businesses and restaurants with dispensing outputs. The design of the cooler allows for easy installation, e.g. under the bar or in another area. Great advantages include the small size of the cooler.

|  |          |
|--|----------|
| COOLING POWER OF THE COMPRESSOR (HP)               | 1/4      |
| COOLING POWER OF THE COMPRESSOR (W)                | 830      |
| MAXIMUM COOLING CAPACITY TO 0°C / TK 45°C (L/HOUR) | 80       |
| CONTINUOUS COOLING PERFORMANCE (L/HOUR)            | 45       |
| THERMAL GRADIENT $\Delta T$ (°C)                   | 10       |
| AIR COMPRESSOR                                     | NO       |
| ICE BANK (kg)                                      | 5-10     |
| DISPLACEMENT OF RECIRCULATION PUMP                 | 6        |
| AIR COMPRESSOR PRESSURE (BAR)                      |          |
| NUMBER OF TAPS (PCS)                               | 2        |
| LENGTH OF COOLING COILS (M)                        | 2x11     |
| POWER (W)  | 506      |
| AMPERAGE (A)                                       | 2,2      |
| NET WEIGHT (KG)                                    | 27,5     |
| REFRIGERANT TYPE                                   | R290     |
| VOLTAGE (V)  | 220/50hz |
| BEVERAGE CONNECTION (FITTINGS)                     | bev 3/8  |
| AIR CONNECTION (FITTINGS)                          |          |

HORECA SOLUTIONS OU  
Estonia, 11912, Tallinn  
Padriku 3/2

[www.horecasolutions.eu](http://www.horecasolutions.eu)  
[sales@horecasolutions.eu](mailto:sales@horecasolutions.eu)  
tel. +372 51905766

# BEER DISPENSER AS-110



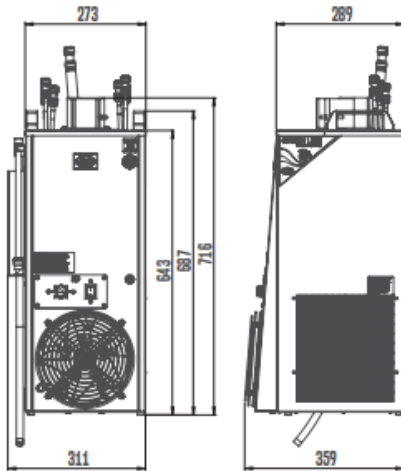
The AS NEW GREEN LINE series of under-counter water coolers is equipped with conventional ice-bank cooling technology. The coolers are designed for gastro businesses and restaurants with dispensing outputs. The design of the cooler allows for easy installation, e.g. under the bar or in another area. Great advantages include the small size of the cooler.

|  |          |
|--|----------|
| COOLING POWER OF THE COMPRESSOR (HP)               | 1/3      |
| COOLING POWER OF THE COMPRESSOR (W)                | 860      |
| MAXIMUM COOLING CAPACITY TO 0°C / TK 45°C (L/HOUR) | 110      |
| CONTINUOUS COOLING PERFORMANCE (L/HOUR)            | 60       |
| THERMAL GRADIENT $\Delta T$ (°C)                   | 10       |
| AIR COMPRESSOR                                     | NO       |
| ICE BANK (kg)                                      | 10-20    |
| DISPLACEMENT of RECIRCULATION PUMP                 | 6        |
| AIR COMPRESSOR PRESSURE (BAR)                      |          |
| NUMBER OF TAPS (PCS)                               | 2        |
| LENGTH OF COOLING COILS (M)                        | 2x14     |
| POWER (W)  | 621      |
| AMPERAGE (A)                                       | 2,7      |
| NET WEIGHT (KG)                                    | 28,5     |
| REFRIGERANT TYPE                                   | R290     |
| VOLTAGE (V)  | 220/50hz |
| BEVERAGE CONNECTION (FITTINGS)                     | bev 3/8  |
| AIR CONNECTION (FITTINGS)                          |          |

HORECA SOLUTIONS OU  
Estonia, 11912, Tallinn  
Padriku 3/2

[www.horecasolutions.eu](http://www.horecasolutions.eu)  
[sales@horecasolutions.eu](mailto:sales@horecasolutions.eu)  
tel. +372 51905766

# BEER DISPENSER CWP100



An innovative cooler design for professional use where rapid cooling and maintaining a constant temperature at elevated flow rates is required. It combines the advantages of dry contact and water coolers.

|  |          |
|--|----------|
| COOLING POWER OF THE COMPRESSOR (HP)               | 1/3      |
| COOLING POWER OF THE COMPRESSOR (W)                | 860      |
| MAXIMUM COOLING CAPACITY TO 0°C / TK 45°C (L/HOUR) | 90       |
| CONTINUOUS COOLING PERFORMANCE (L/HOUR)            | 70       |
| THERMAL GRADIENT $\Delta T$ (°C)                   | 10       |
| AIR COMPRESSOR                                     | NO       |
| ICE BANK (kg)                                      | 0-2      |
| DISPLACEMENT OF RECIRCULATION PUMP                 | 6        |
| AIR COMPRESSOR PRESSURE (BAR)                      |          |
| NUMBER OF TAPS (PCS)                               | 3        |
| LENGTH OF COOLING COILS (M)                        | 3x14     |
| POWER (W)  | 575      |
| AMPERAGE (A)                                       | 2,5      |
| NET WEIGHT (KG)                                    | 28       |
| REFRIGERANT TYPE                                   | R290     |
| VOLTAGE (V)  | 220/50hz |
| BEVERAGE CONNECTION (FITTINGS)                     | bev 3/8  |
| AIR CONNECTION (FITTINGS)                          |          |

HORECA SOLUTIONS OU  
Estonia, 11912, Tallinn  
Padriku 3/2

[www.horecasolutions.eu](http://www.horecasolutions.eu)  
[sales@horecasolutions.eu](mailto:sales@horecasolutions.eu)  
tel. +372 51905766